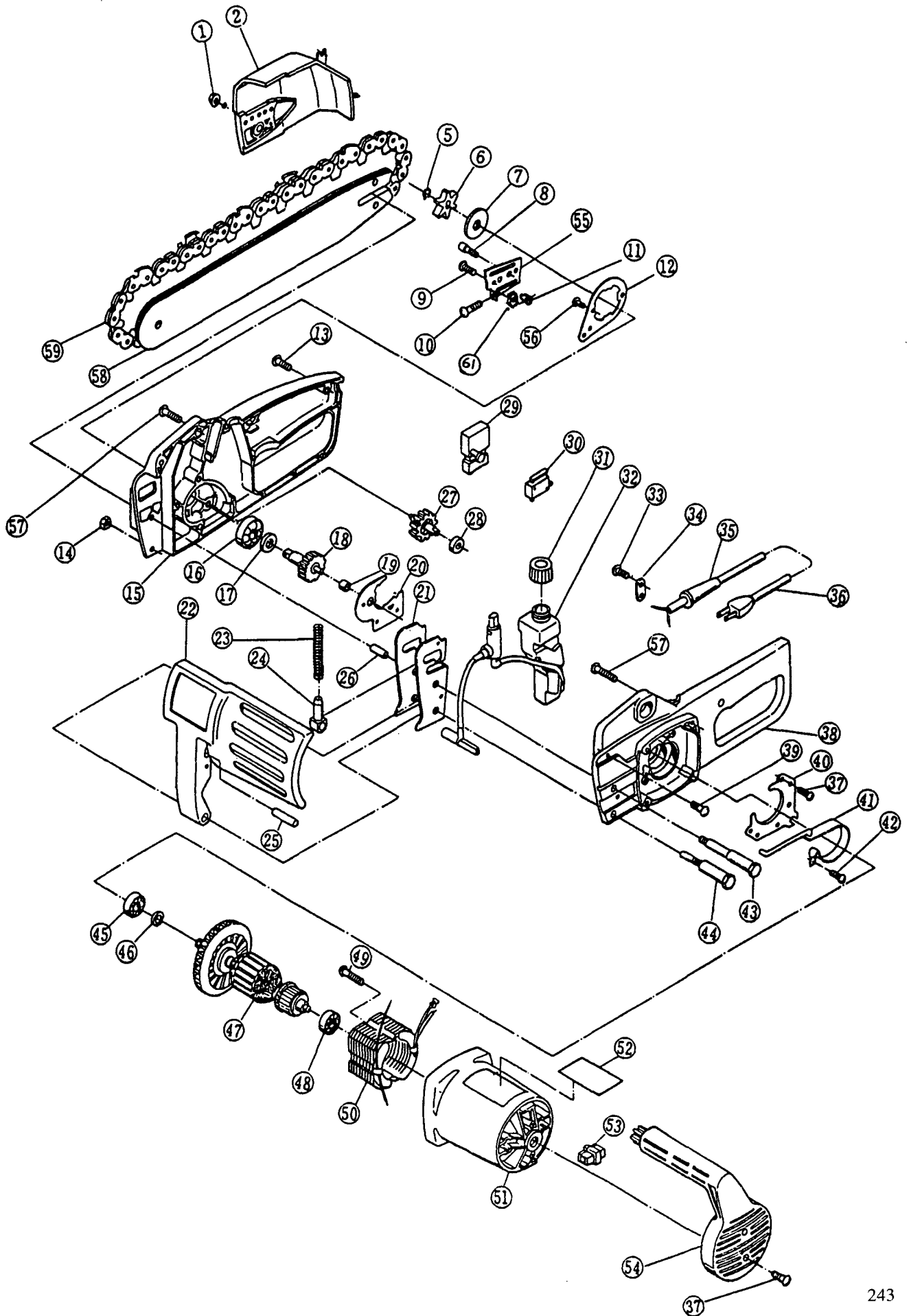


# McCULLOCH Electramac™ 16E



REF. NO.	CODE NO.	DESCRIPTION	REF. NO.	CODE NO.	DESCRIPTION
1	235217	Hex. Nut M6	32	61460841100	Oil Pump Ass'y
2	6146 08 409 00	Guide Bar Holder Ass'y	33	60011383000	Screw (B) M4 x 10
3			34	61465941800	Cord Clamp
4			35	68015909600	Cord Holder
5	9722110000	Retaining Ring (C) S-11	36	68125212502	Cord Ass'y
6	61468613800	Sprocket	37	9647041407	Screw (B) M4 x 14
7	61441675100	Side Plate (Sprocket)	38	61468025311	Frame (L)
8	61461379000	Guide Bar Screw	39	9605040807	Screw (S) M4 x 8 M4 x 8
9	60011383100	Screw M4 x 14	40	61461546000	Brake Guide Plate
10	235212	⊕ Phil. Pan Screw M5 x 35	41	61460840700	Brake Band Ass'y
11	61461379100	Nut	42	9605042007	Screw (S) M4 x 20 M4 x 20
12	61461545300	Fix Plate (R)	43	61461389600	Guide Bar Bolt
13	235205	Screw (B) M4 x 18	44	61461379500	Chain Catcher
14	235912	Hex. Nut M6	45	9005006200	Ball Bearing # 6200ZZ
15	61468025201	Frame (R)	46	61469066900	Collar Ø 10.2 x 20 x 2
16	9005006201	Ball Bearing # 6201ZZ	47	614646334027	Armature
17	61469067000	Collar Ø 12.1 x 16 x 5.5	48	9005000626	Ball Bearing # 626ZZ
18	61460406510	Final Gear Ass'y	49	9606056507	Screw (B) M5 x 65
19	65347106500	Oilless Metal	50	61465032502	Field Coil Ass'y
20	61461545800	Fix Plate (L)	51	61468025500	Motor Housing
21	61461534210	Stopper	52		Name Plate
22	61464016400	Hand Guard	53	61465413101	Brush Holder Ass'y
23	61461738000	Coil Spring	54	61468110300	End Cover
24	61464016700	Lock Pin Holder	55	61461534600	Guide Bar Protector
25	61461229800	Lock Pin	56	9606041213	Screw (B) M4 x 12
26	61469067600	Bush	57	9606053507	Screw (B) M5 x 35
27	61460406400	Middle Gear Ass'y	58	214236	Guide Bar
28	61469067100	Collar Ø 8.1 x 12 x 7.5	59	202729 N	Saw Chain
29	61415513900	Switch SR-89	60		
30	60065541000	Micro Switch	61	60011393700	Nylon Nut
31	61444009601	Oil Cap			